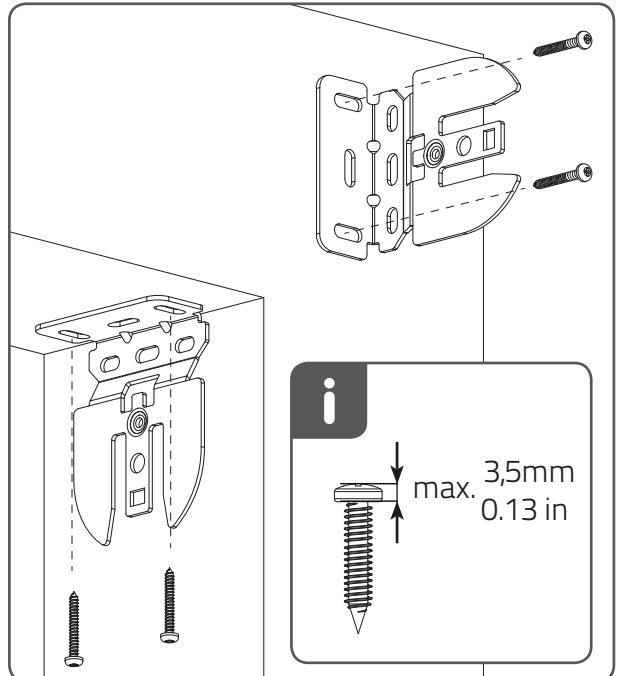
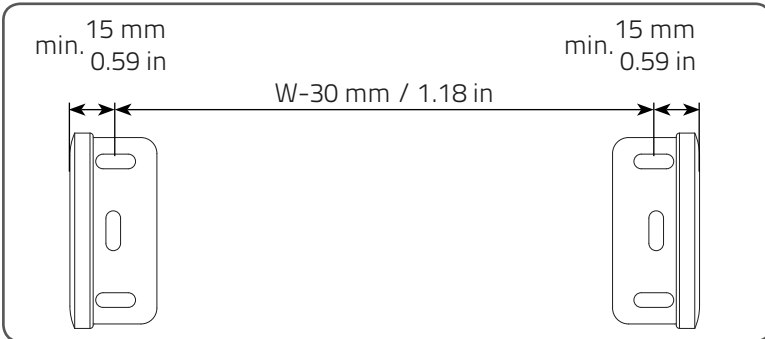
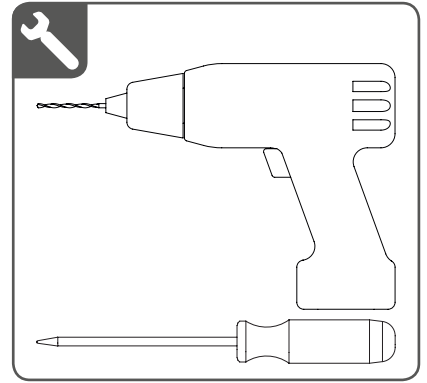
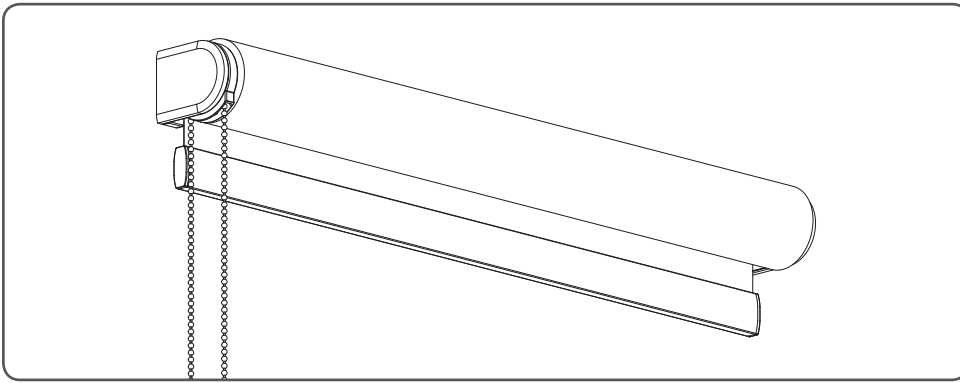
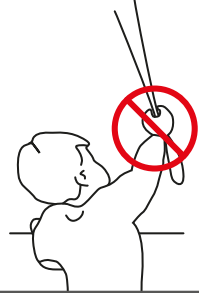


Installation - Open Roll with Continuous Chain

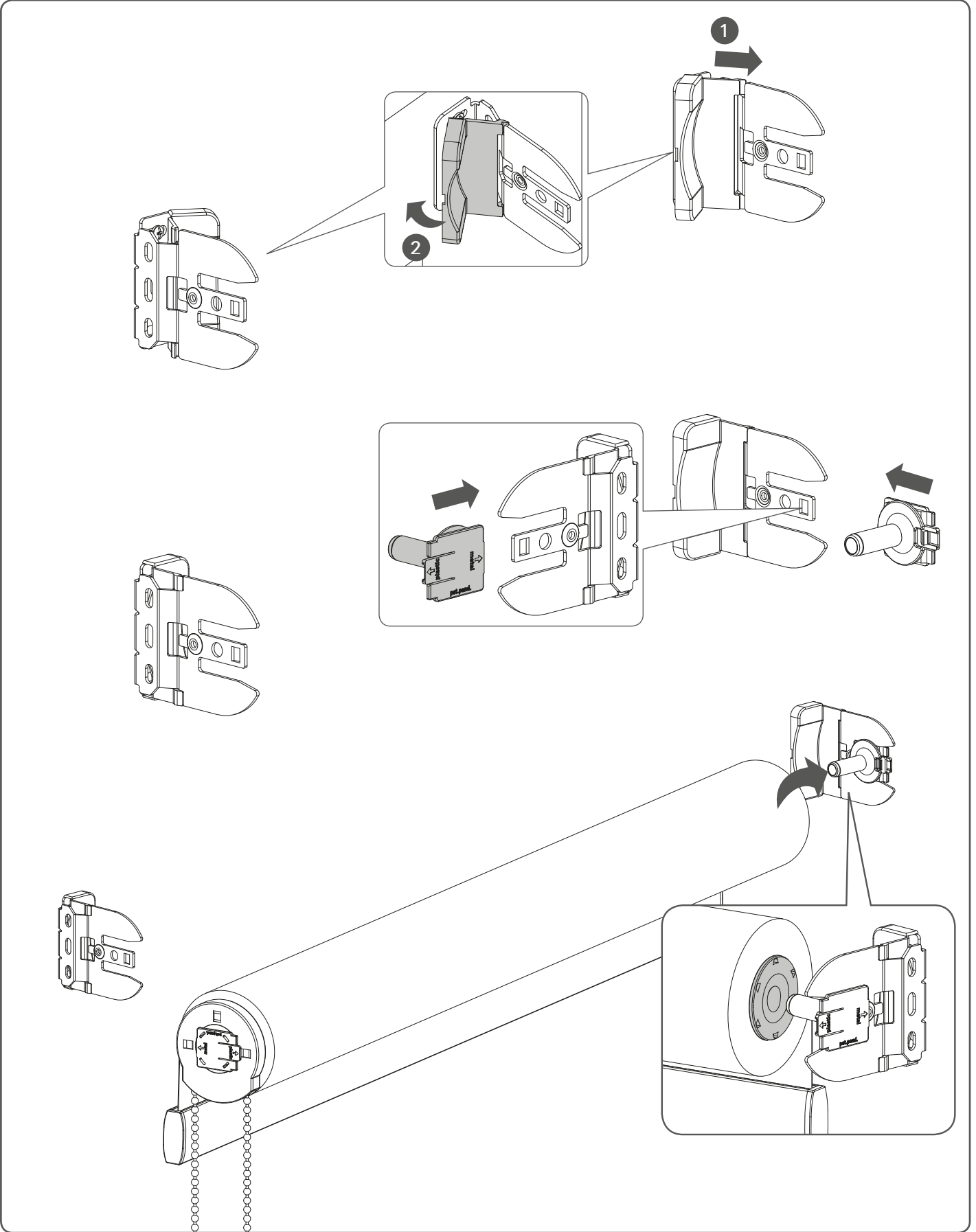
Read the instructions carefully before assembling and using the product.
Assembling process can be completed by non-professionals. For indoor use only.

WARNING

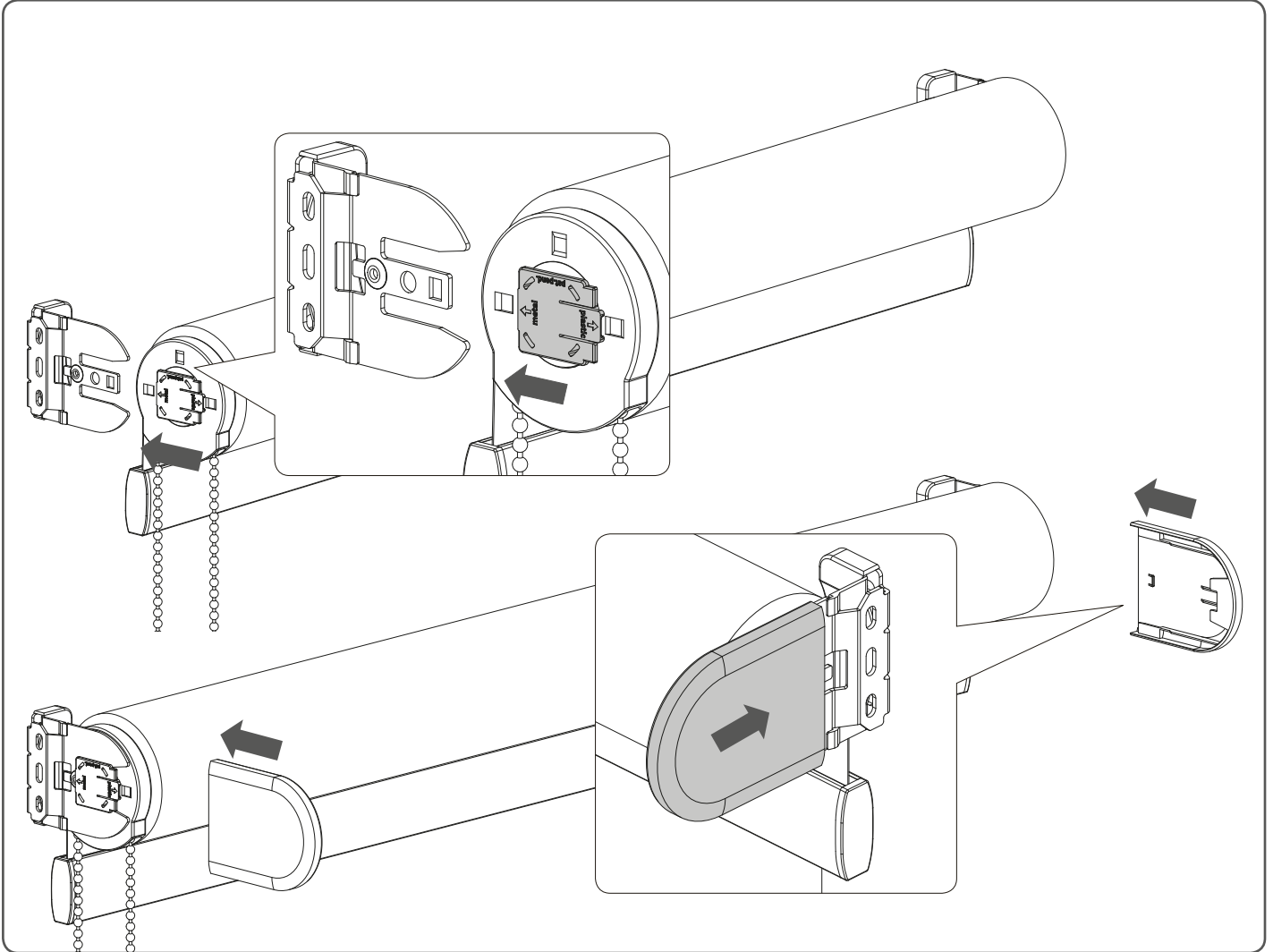
- Young children can strangle in the loop of pull cords, chains and tapes, and cords that operate window coverings.
- To avoid strangulation and entanglement, keep cords out of the reach of young children. Cords may become wrapped around a child's neck
- Move beds, cots and furniture away from window covering cords.
- Do not tie cords together.
Make sure cords do not twist together and form a loop.



Installation - Open Roll with Continuous Chain



Installation - Open Roll with Continuous Chain

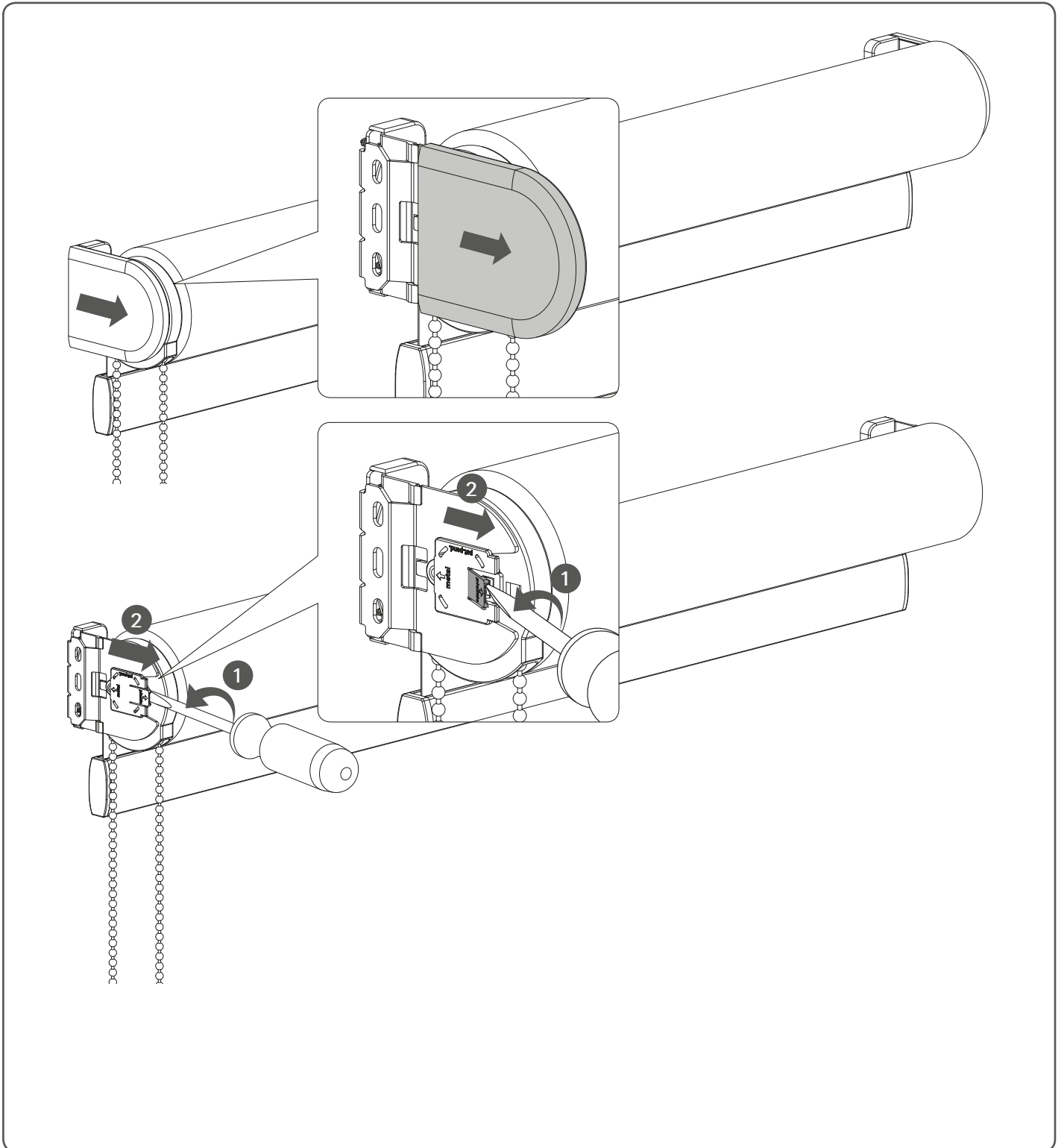


WARNING

Install the child safety device as specified in the childsafe manual.



Removal - Open Roll with Continuous Chain



WARNING

The safety device must be applied on chain loops and prevents free-hanging loops in operating chains.
Install the safety device at the maximum distance possible from the control mechanism to prevent slack in the loop.

